



Jesus left His followers with another message. What was it?



Put the words from the word list in alphabetical order. Then fill in the blanks below.

Word List

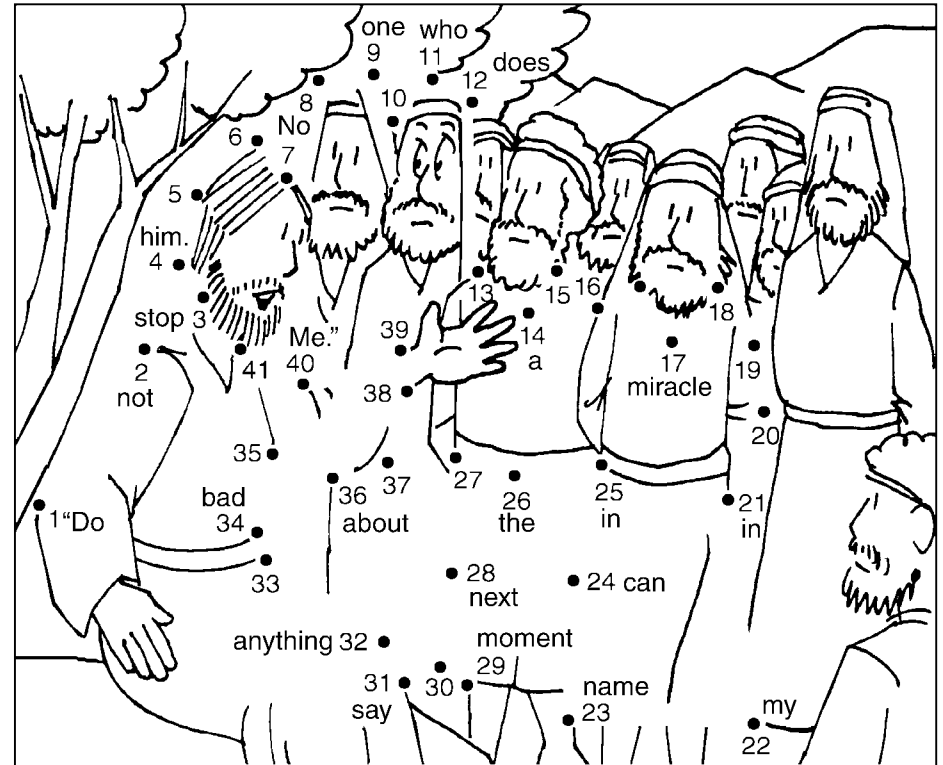
- grime
- cease
- jackal
- beets
- heart
- depth
- learn


“ \_\_\_\_\_  
at  
\_\_\_\_\_  
with each other.”

Serving Christ, Avoiding Sin

John spoke to Jesus. He said, “Teacher, we saw a man driving out demons in your name and we told him to stop, because he was not one of us.” What did Jesus say?

Connect the dots and read the words along the way.



### What else did Jesus say?

Use this code to fill in the blanks.

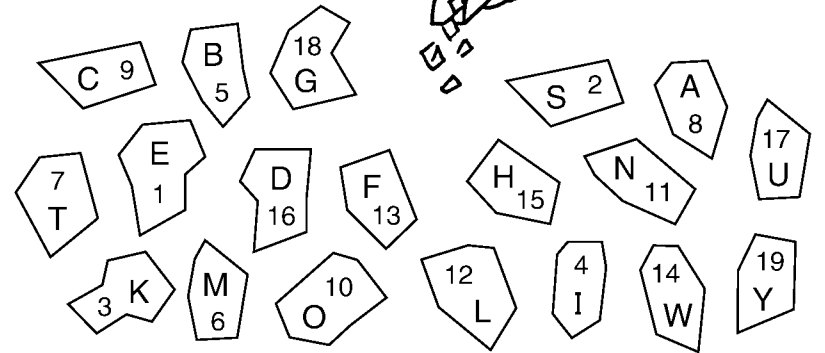
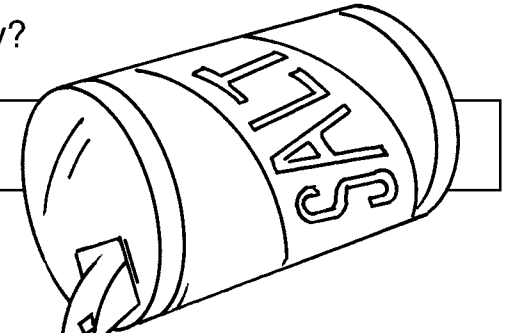


◡	J	Q	B	G	O
▽	U	E	N	C	K
△	M	R	I	V	S
◊	F	A	Y	L	D
□	Z	T	H	W	P
	○	♡	☆	▭	◇

“  
 △□ ☆□ ◊◊ ♡▽ △△ ♡▽ ♡△ ☆△ ◊△ ☆▽ ◊◊ ♡▽  
 ♡◊ △◊ ♡◊ ☆△ ☆▽ ◊△ ♡□ ◊▽ ◊△ ☆△ ◊△  
 ◊◊ ◊◊ ♡△ ◊▽ ◊△ ☆△ ♡□ ♡▽ △◊ △◊  
 ☆◊ ◊◊ ◊▽ ♡□ ☆□ ♡▽ ♡□ ♡△ ◊▽ ♡□ ☆□  
 ♡◊ ☆▽ ☆◊ ◊◊ ☆▽ ♡▽ △□ ☆□ ◊◊  
 △◊ ☆△ △△ ♡▽ ◊△ ☆◊ ◊◊ ◊▽ ♡◊ △▽ ◊▽ ◊◊  
 ◊◊ ◊◊ △□ ♡◊ ♡□ ♡▽ ♡△ ☆△ ☆▽ ◊△ ☆◊  
 ☆▽ ♡◊ ◊△ ♡▽ ☆◊ ♡▽ △▽ ♡◊ ◊▽ ◊△ ♡▽  
 ☆◊ ◊◊ ◊▽ ☆◊ ♡▽ △◊ ◊◊ ☆▽ △◊ ♡□ ◊◊  
 △▽ ☆□ ♡△ ☆△ ◊△ ♡□ △□ ☆△ △◊ △◊  
 △▽ ♡▽ ♡△ ♡□ ♡◊ ☆△ ☆▽ △◊ ☆◊  
 ☆▽ ◊◊ ♡□ △◊ ◊◊ ◊△ ♡▽ ☆□ ☆△ ◊△  
 ”  
 ♡△ ♡▽ △□ ♡◊ ♡△ ◊◊

### What else did Jesus say?

Solve the math problems and fill in the blanks.

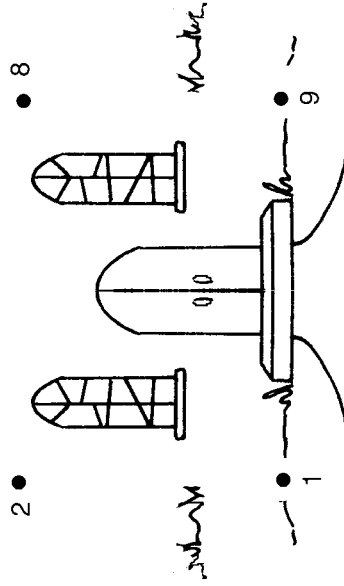
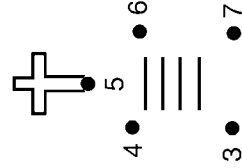
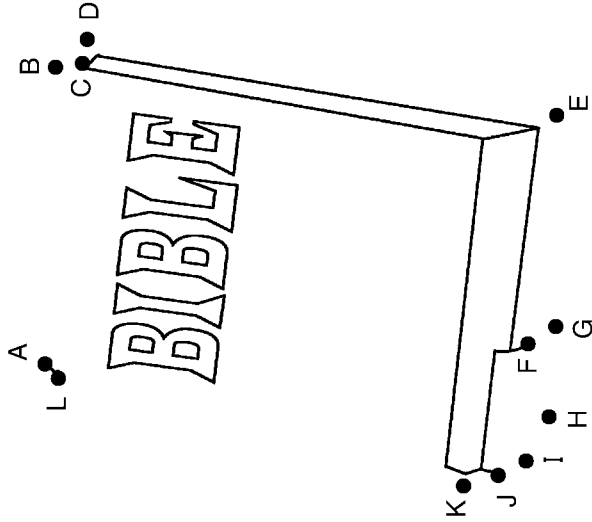


“  
 $1+1$     $4+4$     $5+7$     $4+3$     $3+1$     $8-6$   
 $10+8$     $5+5$     $6+4$     $8+8$     $2+3$     $9+8$     $9-2$   
 $7-3$     $9+4$     $10-6$     $10-3$   
 $15-3$     $12-2$     $5-3$     $9-8$     $0+2$     $2+2$     $6+1$     $6-4$   
 $3-1$     $11-3$     $9+3$     $9-2$     $6-2$     $5+6$     $8-7$     $4-2$     $1+1$   
 $9+6$     $2+8$     $8+6$     $5+4$     $9-1$     $9+2$   
 $10+9$     $6+4$     $9+8$     $9-3$     $5+3$     $5-2$     $6-5$   
 $1+3$     $10-3$     $7-5$     $12-4$     $13-1$     $6+1$     $12+7$   
 ?”  
 $6+2$     $19-1$     $10-2$     $10-6$     $8+3$

Find 2 places we learn about Jesus.

Connect the dots.

A B C D E F G H I J K L 1 2 3 4 5 6 7 8 9

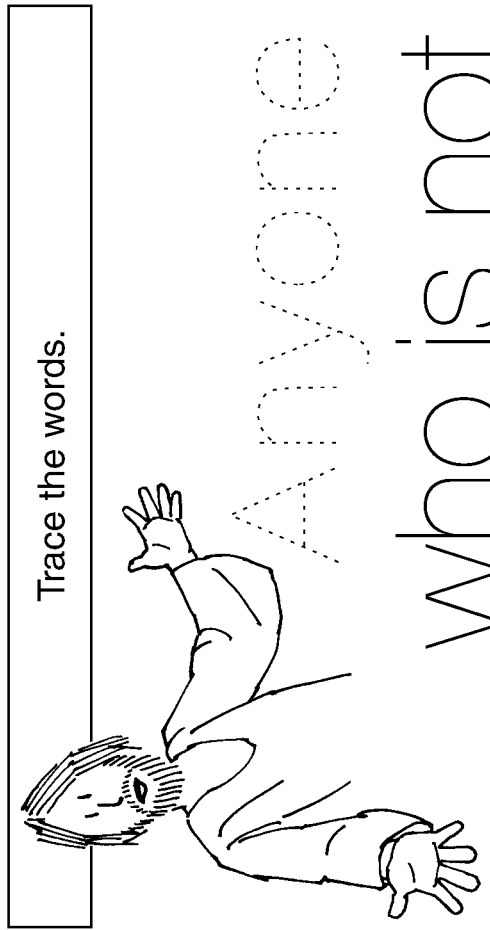


Ages 3+

March 14, 2021 • Mark 9:38-50

# Serving Christ, Avoiding Sin

A man was trying to heal people in Jesus' name. The disciples wanted to stop him. Jesus said, "Do not stop him."

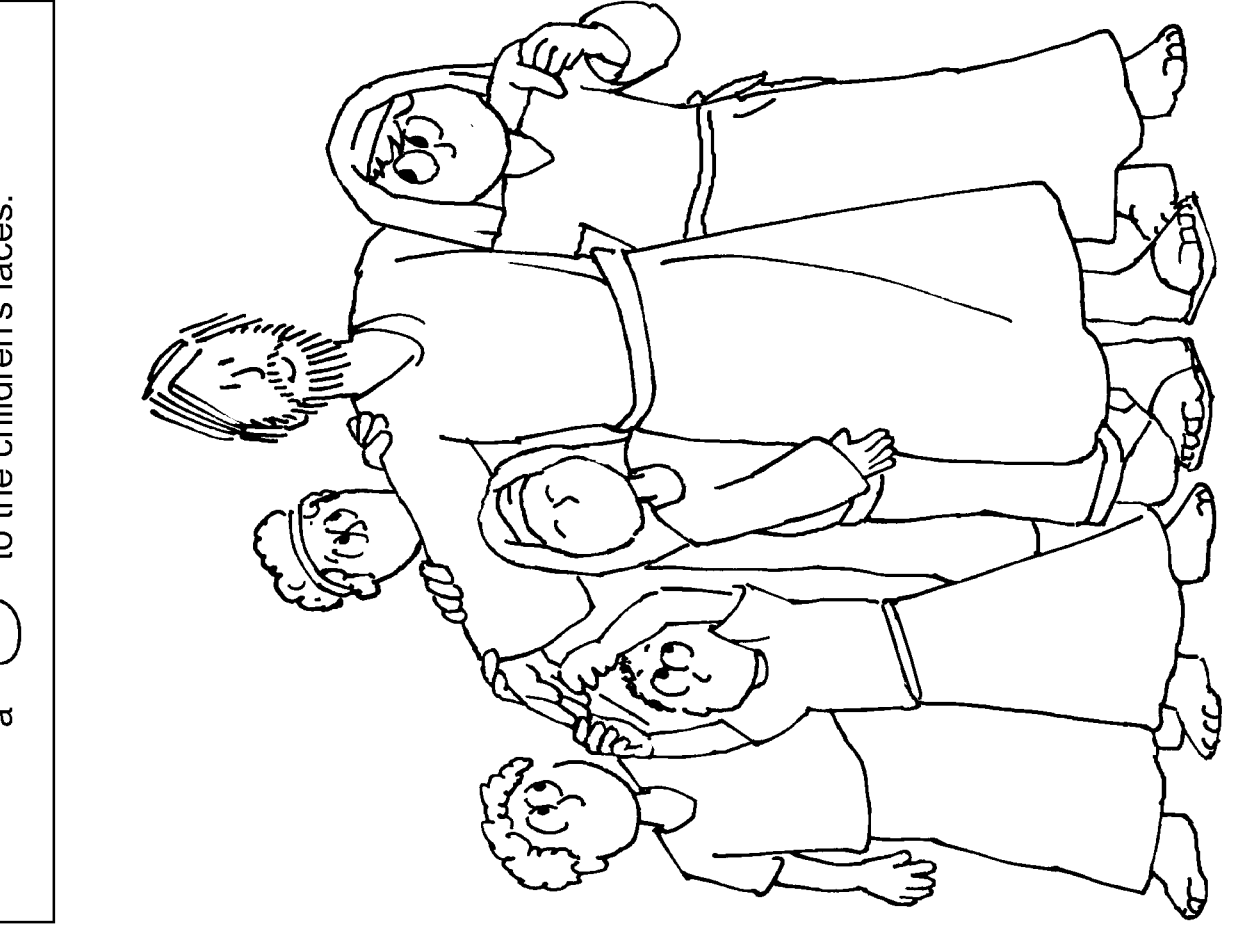


Trace the words.

Anyone who is not against us is for us.

Jesus said, "Do not cause any little ones to stumble."

Finish drawing by adding a  to the children's faces.



Avoid sin and serve Christ.

Follow the maze to serve Christ.

